

# Wearable Glove Trigger

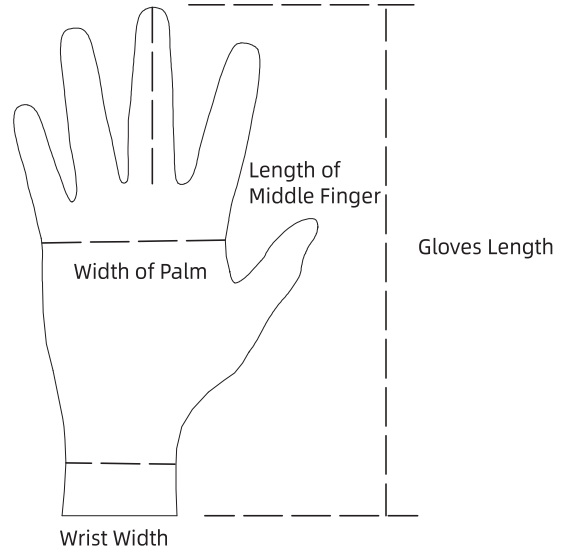
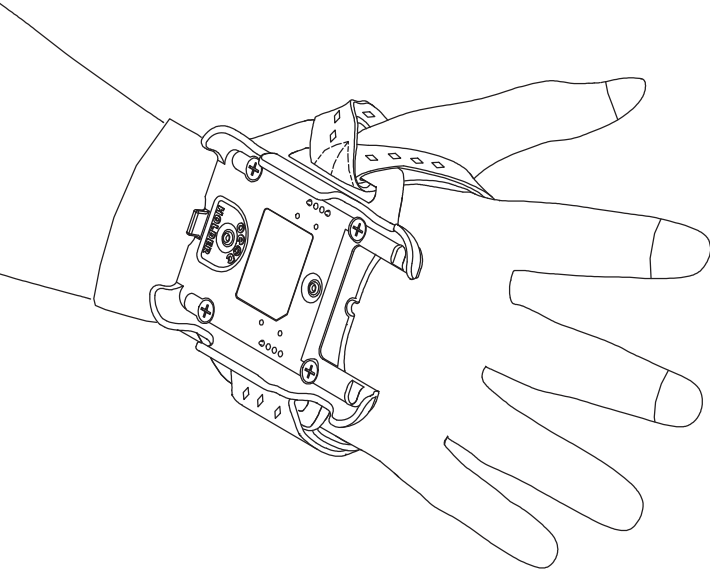
## Quick Guide

FINGERCELL / TOUCHUNIT  
Designed by 8SCAN

### Glove Size Chart

TOUCHUNIT Gloves (inch / cm)	Sizes	Gloves Length	Length of Middle Finger	Width of Palm	Wrist Width
	M	8.66/22	2.76/7	4.33/11	3.27/8.3
	L	9.25/23.5	2.95/7.5	4.33/11	3.35/8.5
	XL	9.65/24.5	2.95/7.5	4.53/11.5	3.46/8.8

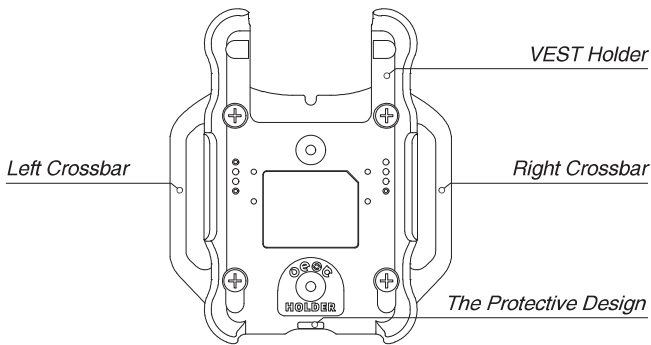
Note: This size is only for reference , with an error of  $\pm 0.2$ inch/0.5cm.



P/N:FE10041F0 Version 1.0

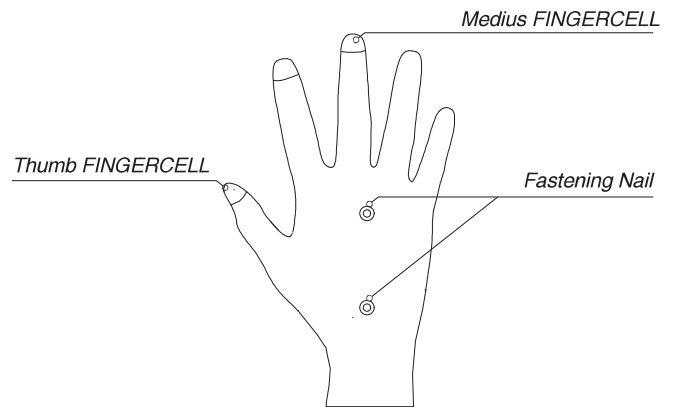


### Product Structure

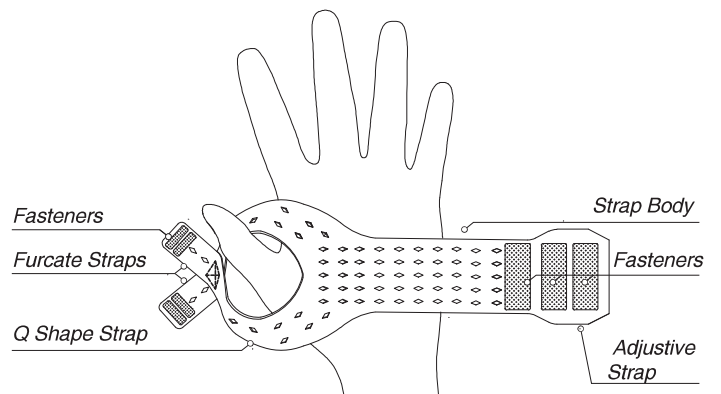
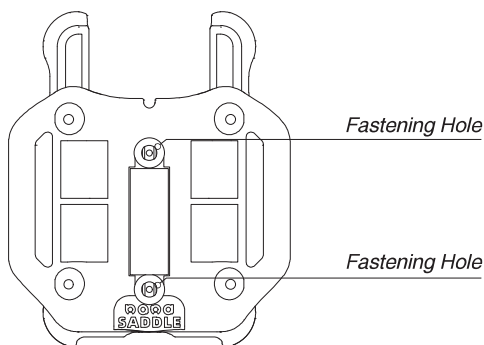


Multi-purpose Holder for Glove Trigger(MPH-GT)

### Product Structure



TOUCHUNIT Gloves



Q type Strap

## Wearable

### ● Step 1

As shown in Figure 1, please pass the Adjustable Strap through Right Crossbar of MPH-GT, and rewinding Strap Body. Please note the direction of Fasteners on Adjustable Strap.

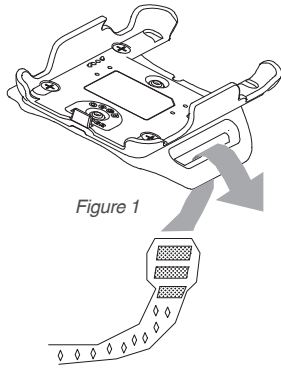


Figure 1

### ● Step 2

As shown in Figure 2, please pass the Furcate Straps through Left Crossbar of MPH-GT, and rewinding it on Q Shape Strap separately to both sides, then fix the Furcate Straps with Fasteners. Please note that the direction of Fasteners on Furcate Straps.

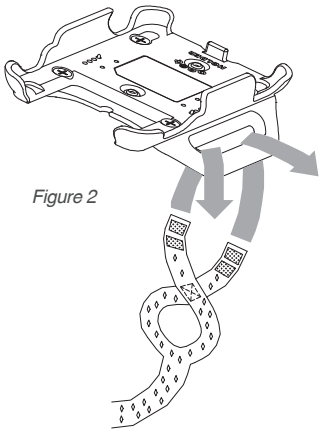


Figure 2

After complete Step 1 and Step 2, Fix the straps at both ends of Q type Strap respectively on the crossbar of MPH-GT, then you complete the combination between MPH-GT and Q type Straps. This combination looks like a saddle as shown in Figure 3 and can be worn on your hands.

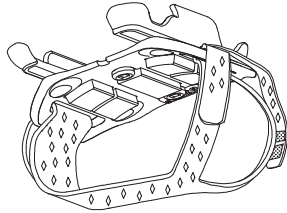


Figure 3

These combinations can be worn on the left hand or right hand. This user guide takes the operation of right hand as example, the operation of left hand is similar.

## Combinations

### ● Embedding Scanner

As shown in Figure 6, please press the scanner from the upper part of MPH-GT, then it will be embedded into MPH-GT.

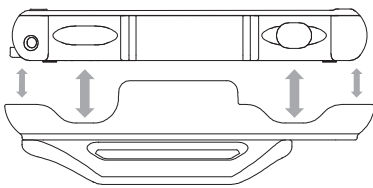


Figure 6

### ● Disassembly

As shown in Figure 7, please push up the scanner from the position of scanner label which is close to the square gap of MPH-GT, the windows of scanner will be upwarped and separated from MPH-GT. Then, you can take out the scanner from MPH-GT.

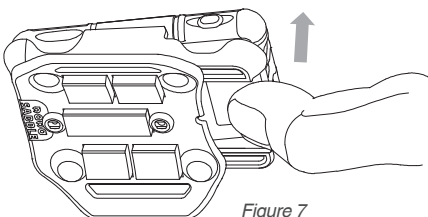


Figure 7

These combinations can be worn on the left hand or right hand. This user guide takes the operation of right hand as example, the operation of left hand is similar.

## Wearable

### ● Step 3

As shown in Figure 4, please put on the TOUCHUNIT Gloves on your right hand, then pass through the combination and put the thumb into Q-type. In addition, please push two Fastening Holes of MPH-GT into two Fastening Nails of TOUCHUNIT Gloves.

(Please note: TOUCHUNIT Gloves have the distinction between left and right hands, please wear them according to the explanation on gloves label.)

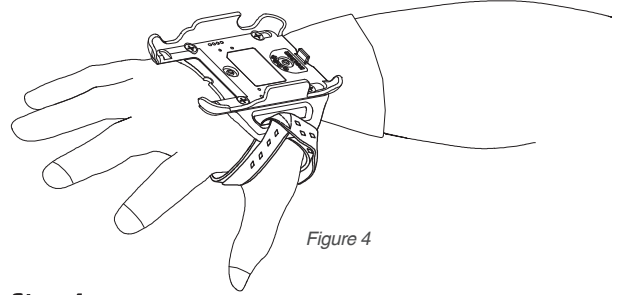


Figure 4

### ● Step 4

As shown in Figure 5, please adjust Q-type Strap to the proper length and fix the Adjustable Strap, then adjust MPH-GT and TOUCHUNIT Gloves in a stable and comfortable position to complete the wear.

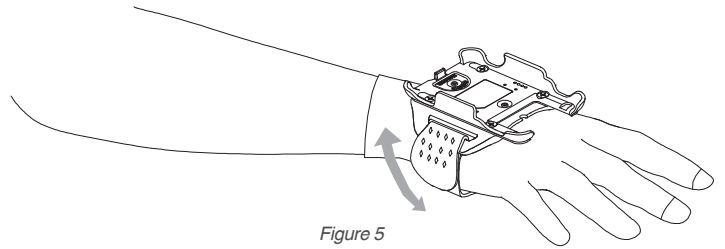


Figure 5

These combinations can be worn on the left hand or right hand. This user guide takes the operation of right hand as example, the operation of left hand is similar.

## Usage

As shown in Figure 8, you only need to touch the inductive area of fingertip between thumb and middle finger (Thumb FINGERCELL and Medius FINGERCELL) to trigger the scanning after wearing this combination.

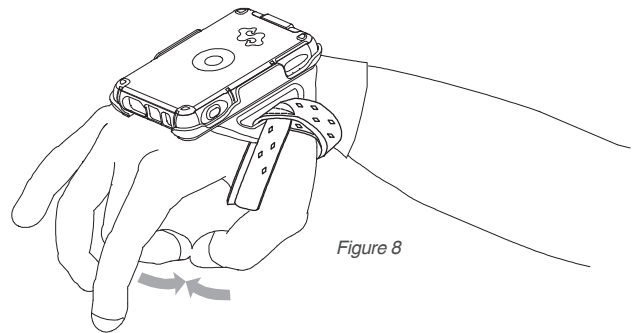


Figure 8

These combinations can be worn on the left hand or right hand. This user guide takes the operation of right hand as example, the operation of left hand is similar.